

2



1

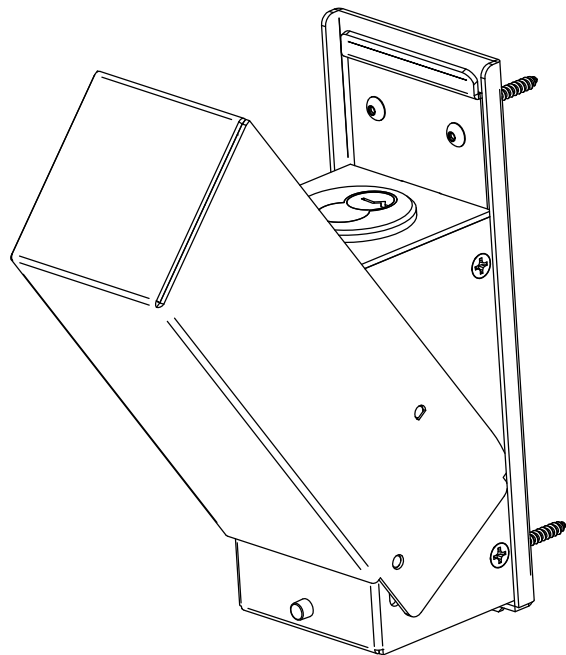
### MOUNTING SURFACE VAULT TO WALL PLATE

#6-32 BUTTON SOCKET HEAD SCREWS  
2 PLCS

WALL MOUNT PLATE

WIRE PASS THRU

NOTE, ON THIS VERSION MOUNTING  
PLATE MAKE SURE (4)  
MOUNTING SCREW HEADS  
ARE NOT RAISED ABOVE  
SURFACE.



SURFACE VAULT ASSEMBLED/MOUNTED

DRAWN	V. LaManna	5/4/2020
APPROVAL		
MATERIAL		
FINISH		
TOLERANCE UNLESS SPECIFIED:		
HOLE SIZES ± .002		
DECIMAL: .XXX ± .005 / .XX ± .01		
FORM LOCATIONS ± .015		

 7635 GLACIER HILL  
VICTOR, NEW YORK  
14564

TITLE		
NESK Top Level Assy		

SIZE	DWG NO	REV
A	3K10001	1
SCALE	MODEL NAME	SHEET 1 OF 1
	NESK-VL-New.iam	

2



1